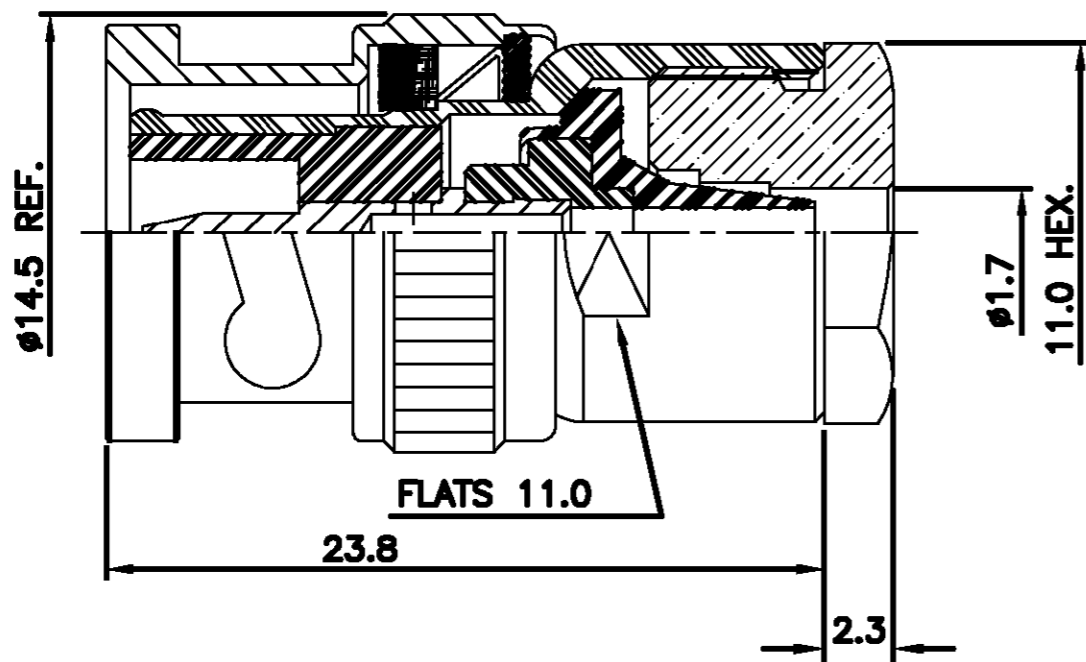


THIS DRAWING IS UNPUBLISHED. RELEASED FOR PUBLICATION 21-11-01.

© COPYRIGHT 2001 BY TYCO ELECTRONICS CORPORATION. ALL RIGHTS RESERVED.

LOC	DIST	REVISIONS					
		P	LTR	DESCRIPTION	DATE	DWN	APVD
E	B	B		EB00-0091-02	18-03-02	AJB	R.G
		A		RELEASE FOR PRODUCTION	21-11-01	AJB	FKV

⚠ SUPPLIED SEMI-ASSEMBLED (PACK CONTAINS LOOSE PIECES)  
 VIEW SHOWS ASSEMBLED CONNECTOR (CABLE OMITTED)  
 FOR CABLE TO CONNECTOR ASSEMBLY GUIDANCE  
 REFER TO TYCO INSTRUCTION SHEET I.S 411 - 3267



**ALL DIMENSIONS ARE NOMINAL. FOR REFERENCE ONLY.**

DIE SET PART NUMBER	N/A
HANDTOOL PART NUMBER	N/A
FOR USE ON CABLES	RG174A/U, 188A/U, 316/U, URM95
CONNECTOR PLATING DETAIL	SILVER
CONTACT PLATING DETAIL	SILVER
DIELECTRIC MATERIAL	TEFLON
GASKET MATERIAL	WHITE SILICONE RUBBER

BAG	SINGLE ITEM	1-1478402-0
PACK TYPE	DESCRIPTION	PART NUMBER

THIS DRAWING IS A CONTROLLED DOCUMENT.		DWN	A.BEKEN	21-11-01	Tyco Electronics Corporation Stanmore, Middlesex, HA7 4RS			
DIMENSIONS: MM		CHK	R.G	21-11-01	NAME BNC STRAIGHT PLUG SOLDER (PS) RG174 50 ohm			
TOLERANCES UNLESS OTHERWISE SPECIFIED:		APVD	F.W-KING	21-11-01	PRODUCT SPEC 108-3435			
0 PLC ± -		APPLICATION SPEC		SIZE		CAGE CODE	DRAWING NO	RESTRICTED TO
1 PLC ± -		-		A3		00779	C-1478402	-
2 PLC ± -		-		CUSTOMER DRAWING		SCALE	NTS	SHEET 1 OF 1
3 PLC ± -		-		-		REV		B
4 PLC ± -		-		-		-		-
ANGLES ± -		-		-		-		-
MATERIAL		FINISH		-		-		-